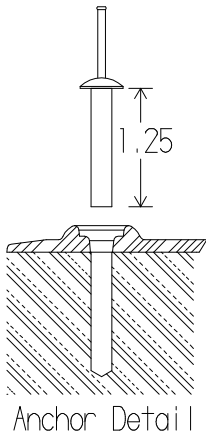
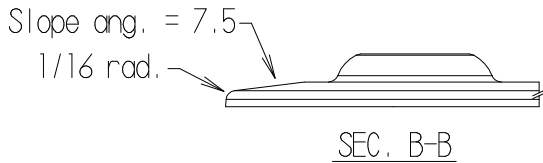
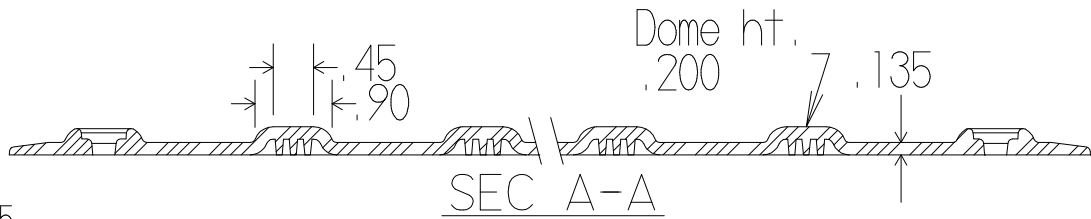
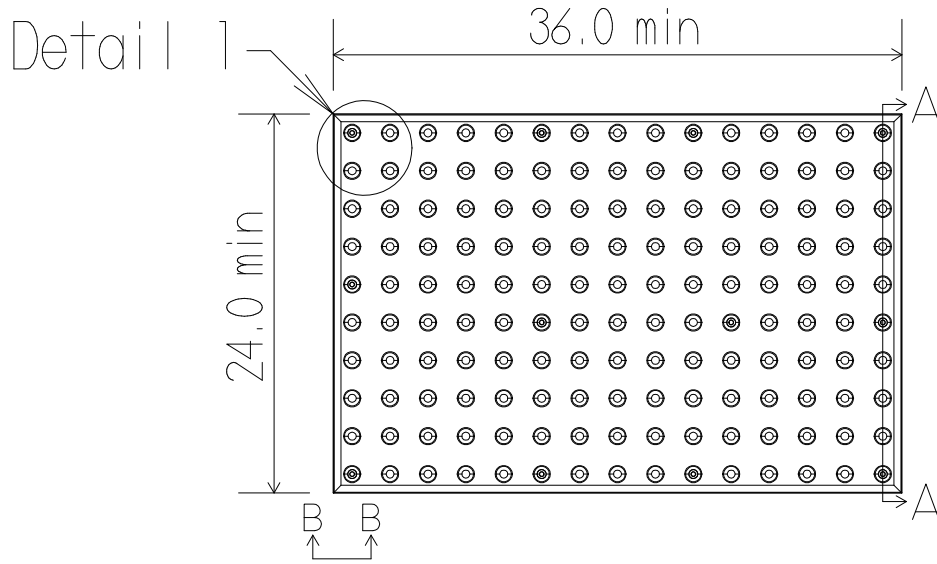
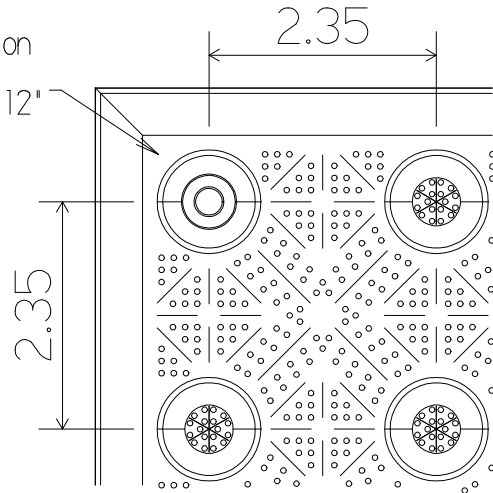


SPECIFICATION SHEET



anchor location
Typ 12 pl.
approx every 12"
9/32" thru



Notes:

1. Tiles to be secured using adhesive and anchors.
2. Skid resistant surface per manufacturer's spec.
3. Material: Ureopolyelastomeric
4. Do not scale drawing

Part # SM2436

Detectable Warning Tile

Manufactured by: **Three D Plastics, Inc.**

Drawn by: TS2

Date: 2/26/2008